



HB03-800



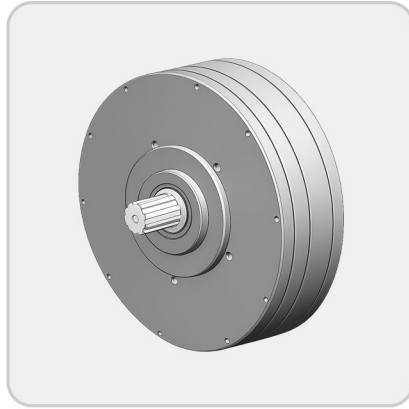
HB06-1600



HB08-2000



HB06A-1600



HB31A-7000



HB08A-2000



HB16A-5000



HB11A-2000



HB11-3000



HB16-5000



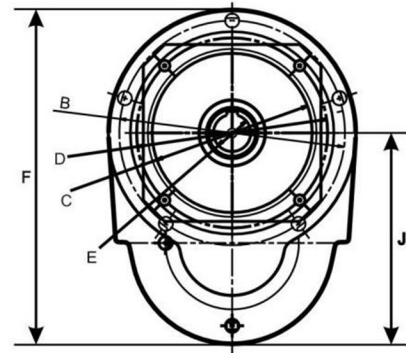
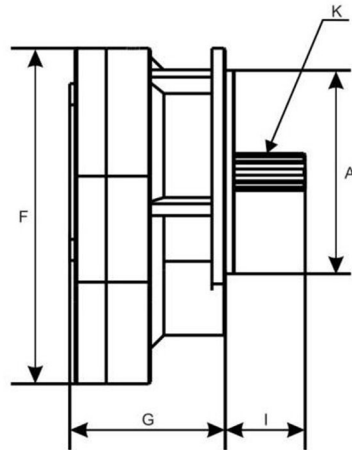
HB31-9500



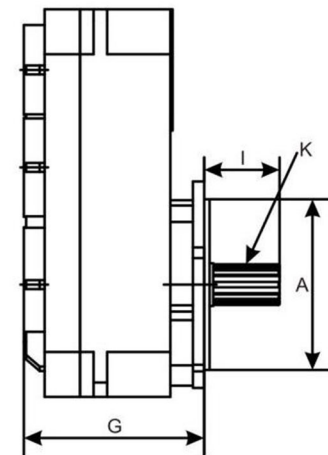
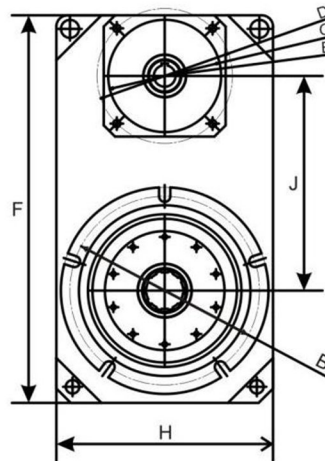
HB70-13500

Installation Dimensions

TYPE I



TYPE C



Model	Speed Ratio	Rated torque Nm	A	B	C	D	E	F	G	H	I	J	K	Style	Weight
HB03-800	1:5 1:8	800	190	210	180	215	42	250	180	-	68	-	38*32*6	I	35
HB06A-1600	1:5	1600	230	254	180	215	42	285	123	-	90	-	42*36*7	I	46
HB06-1600	1:8	1600	230	254	180	215	42	380	175	-	90	240	42*36*7	I	52
HB08A-2000	1:5	2000	256	300	180	215	42	327	123	-	93	-	50*46*9	I	52
HB08-2000	1:8	2000	256	300	180	215	42	460	180	-	90	-	50*46*9	I	65
HB11A-2500	1:8	2500	256	300	180	215	42	460	180	-	90	-	50*46*9	I	65
HB11-3000	1:10	3000	256	300	180	215	42/48	705	345	386	100	385	50*46*9	I	65
HB16A-4000	1:10	4000	301.5	327	250	300	48	705	345	386	143	385	72*62*12	I	270
HB16-5000	1:12	5000	301.5	327	250	300	48	705	345	386	143	385	72*62*12	I	270
HB31A-6000	1:12	6000	380	327	250	300	48	760	354	420	167	424	92*82*12	I	320
HB31-9500	1:16	9500	380	420	250	300	48	936	381	560	167	539	92*82*12	I	520
HB70A-13500	1:16	13500	457.1	520	250	300	48	936	381	560	188	539	Optional	C	540
HB70-15000	1:20	15000	457.1	520	Optional	Optional	Optional	1015	440	656	188	610	Optional	C	660
HB400-20000	1:20	20000	Optional	Optional	Optional	Optional	Optional	1180	460	665	188	610	Optional	C	690

Note: All gears are high-precision hardened ground gears, equipped with heavy-duty bearings, and the rated torque is magnified by a factor of 2.1. Installation dimensions do not require changes to the original injection molding machine design.

Machine Tons	90 tons	120 tons	168 tons	200 tons	260 tons	320 tons	400 tons	500 tons
Screw Dia	30 35 40	35 40 45	40 45 50	45 50 60	50 60 70	60 70 80	70 80 90	70 85 90
Screw Torque:Nm	300	450	600	850	1300	2000	2900	3500
Motor Torque:Nm	55	88	105	148	168	228	320	350
Reduction Ratio	1:5/1:8	1:5/1:8	1:5/1:8	1:5/1:8	1:5/1:8	1:5/1:8	1:10	1:10/1:16
Motor Speed:r/min	2000	2000	2000	1800	2000	2000	2000	2000
Torque:Nm	330	528	630	888	1344	2052	3200	3500
Speed:r/min	335	335	335	300	250	225	200	200

Machine Tons	600 tons	700 tons	800 tons	900 tons	1000 tons	1200 tons	1350 tons	1650 tons
Screw Dia	80 85 95	90 100 105	90 100 105	100 105 115	100 105 115	105 115 130	115 130 140	130 140 150
Screw Torque:Nm	4000	6000	6000	8000	8000	9500	12000	13000
Motor Torque:Nm	420	520	520	680	580	620	750	820
Reduction Ratio	1:12/1:16	1:12/1:16	1:16	1:16	1:16	1:16	1:16	1:16
Motor Speed:r/min	2000	2000	2000	1800	1800	1800	1800	1800
Torque:Nm	4200	6240	6240	8160	9280	9920	12000	13120
Speed:r/min	200	167	150	150	112	112	112	112



Contact us

+91 98253 56968 | +91 88667 79607

hydtechautomation@gmail.com

www.hydtechautomation.com

100, Abhi Shree Ind. Park, B/h GVMM Odhav Ring Road,
Odhav, Ahmedabad (Guj), India-382415